

Datasheet

Retail Self-Service Solution: Fujitsu U-Scan™ Mini-Express RFID

Modular, flexible and compact

Re-invent self-checkout with innovative RFID technology

The Fujitsu U-Scan Mini-Express RFID offers retailers new features, flexibility, scalability, reliability and usability. With its new compact, space-saving footprint, U-Scan is expected to rapidly expand into new markets in addition to the traditional self checkout markets.

Benefits

- Gen2 UHF RFID enabled Mini Express self-checkout supports a vast array of potential uses and features.
- Checkout without removing items from their basket. Eliminate need to scan individual bar code at point-of-sales.
- Streamline checkout with increased sales, reduced costs, and improved efficiency
- Flexible configurations to support multiple Retail Markets
- Works with any Gen2 RFID Tags



U-Scan™ Mini-Express RFID Specifications

ENVIRONMENT

Operating Temperature	32°F to 104°F (0°C to 40°C) 15° C/Hr (Non-Condensing)
Non-operating Temperature	23°F to 122°F (-5°C to 50°C)
Operating Relative Humidity	10 to 90% non- condensing
Non-operating Relative Humidity	9 to 95% non- condensing

POWER

Voltage	100-240 V AC
Frequency	50/60 Hz
Power dissipation	AIO PC: 108W; Whole System: up to 414 W

CPU

Type	Intel 7th Generation Kabylake Core i5-7500T
Memory	8GB standard memory; expandable to 16GB
Storage	256GB Solid State Drive
Ethernet	10/100/1000 LAN
Inputs/Outputs	3 x 12 V P-USB 1 x 24 V P-USB On-board Video (VGA) 3 x USB 3.0 Ports

DISPLAY

15" Color Touch Screen
Projected Capacitive Multi-Touch (10 point touch)
1024 x 768 Resolution

RFID

Transmit Power	FCC: up to 32.5 dBm AC ETSI: up to 31.5 dBm AC
Air Interface Protocol	GS1/EPCglobal UHF Gen2 (ISO 18000-63)
Read Sensitivity (Maximum)	-84 dBm

OPERATING SYSTEM

Windows10 2019

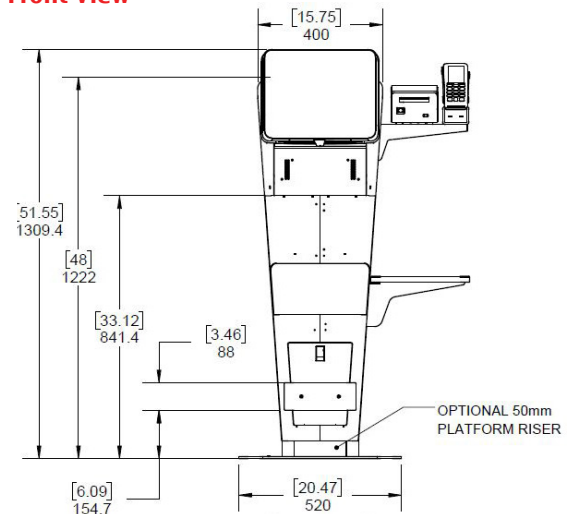
CERTIFICATION

EMC & Safety Regulation	FCC, CE, CSA
Environmental Regulation	RoHS

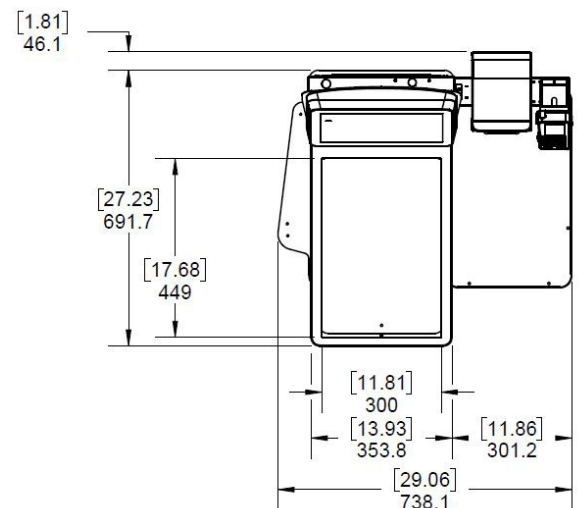
OPTIONAL

Assist Shelf: Side Shelf, left or right mount
EFT Mounting: Atos, Ingenico, Verifone (EFT not included)
Printer: High Speed Thermal Printer
Uninterrupted Power Supply: UPS 120VAC, 200W
Lane Light: LED Signal Tower
Bagging Modules Available
Apple Pay

Front View



Top View



Fujitsu Frontech North America reserves the right to change specifications without notice

Contact

FUJITSU
Fujitsu Frontech North America Inc.
Address: 27121 Towne Centre Drive, Suite 100 Foothill Ranch, CA
Phone: 877-766-7545
Website: <https://www.fujitsufrontechna.com/mini-express-rfid/>
U-Scan-Mini-Express-RFID

