

Datasheet

Retail Self-Service Solution: Fujitsu U-Scan™ Mini-Express RFID

Modular, flexible and compact

Re-invent self-checkout with innovative RFID technology

The Fujitsu U-Scan Mini-Express RFID offers retailers new features, flexibility, scalability, reliability and usability. With its new compact, space-saving footprint, U-Scan is expected to rapidly expand into new markets in addition to the traditional self checkout markets.

Benefits

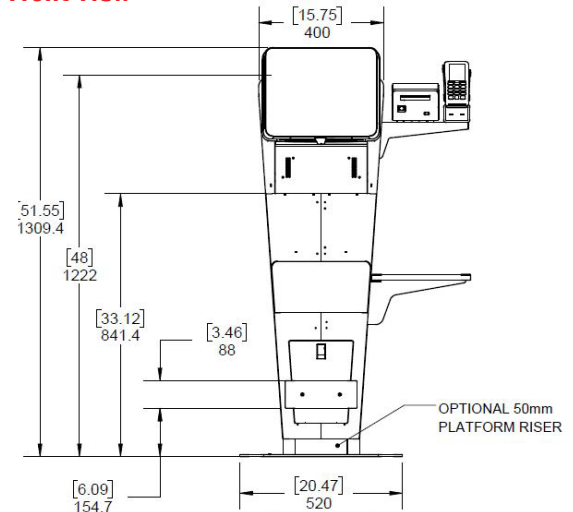
- Gen2 UHF RFID enabled Mini Express self-checkout supports a vast array of potential uses and features.
- Checkout without removing items from their basket. Eliminate need to scan individual bar code at point-of-sales.
- Streamline checkout with increased sales, reduced costs, and improved efficiency
- Flexible configurations to support multiple Retail Markets
- Works with any Gen2 RFID Tags



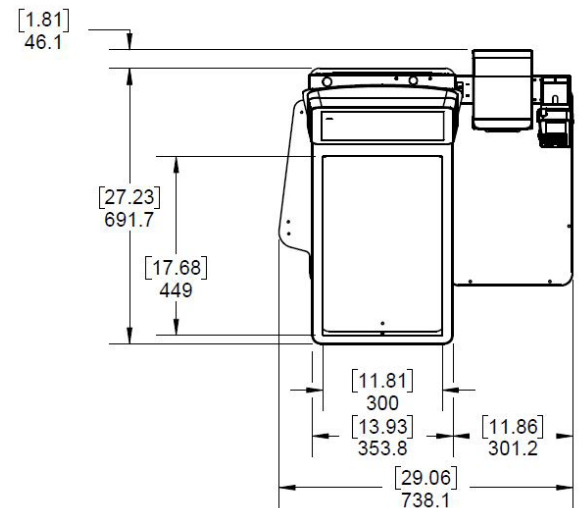
U-Scan™ Mini-Express RFID Specifications

ENVIRONMENT	
Operating Temperature	32°F to 104°F (0°C to 40°C) 15° C/Hr (Non-Condensing)
Non-operating Temperature	23°F to 122°F (-5°C to 50°C)
Operating Relative Humidity	10 to 90% non- condensing
Non-operating Relative Humidity	9 to 95% non- condensing
POWER	
Voltage	100-240 V AC
Frequency	50/60 Hz
Power dissipation	AIO PC: 90W: Whole System: up to 414 W
CPU	
Type	Intel 4th Generation Haswell Celeron G1820TE, Core i3-4330TE, Core i5-4570TE
Memory	4GB Standard memory; expandable to 16GB
Storage	128GB Solid State Drive/500GB HDD
Ethernet	10/100/1000 LAN
Inputs/Outputs	3 x 12 V P-USB 1 x 24 V P-USB On-board Video (VGA) 2 x USB 3.0 Ports
DISPLAY	
	15" Color Touch Screen Projected Capacitive Multi-Touch (10 point touch) 1024 x 768 Resolution
RFID	
Transmit Power	FCC: up to 32.5 dBm AC ETSI: up to 31.5 dBm AC
Air Interface Protocol	GS1/EPCglobal UHF Gen2 (ISO 18000-63)
Read Sensitivity (Maximum)	-84 dBm
OPERATING SYSTEM	
	Windows Embedded POSReady 7, 8, and Windows 10
CERTIFICATION	
EMC & Safety Regulation	FCC, CE, CSA
Environmental Regulation	RoHS
OPTIONAL	
	Assist Shelf: Side Shelf, left or right mount EFT Mounting: Atos, Ingenico, Verifone (EFT not included) Printer: High Speed Thermal Printer Uninterrupted Power Supply: UPS 120VAC, 200W Lane Light: LED Signal Tower Bagging Modules Available Apple Pay

Front View



Top View



Fujitsu Frontech North America reserves the right to change specifications without notice

Contact

FUJITSU
 Fujitsu Frontech North America Inc.
 Address: 27121 Towne Centre Drive, Suite 100 Foothill Ranch, CA
 Phone: 877-766-7545
 Website: <https://www.fujitsufrontechna.com/mini-express-rfid/>
 U-Scan-Mini-Express-RFID

