

Fact Sheet

Retail Self-Service Solution: Fujitsu U-Scan Mini-Express™ RFID

Modular, flexible and compact

Re-invent self-checkout with innovative RFID technology

The Fujitsu U-Scan Mini-Express RFID offers retailers new features, flexibility, scalability, reliability and usability. With its new compact, space-saving footprint, U-Scan is expected to rapidly expand into new markets in addition to the traditional self checkout markets.

Benefits

- Gen2 UHF RFID enabled Mini Express self-checkout supports a vast array of potential uses and features.
- Checkout without removing items from their basket. Eliminate need to scan individual bar code at point-of-sales.
- Streamline checkout with increased sales, reduced costs, and improved efficiency
- Flexible configurations to support multiple Retail Markets
- Works with any Gen2 RFID Tags



U-Scan Mini-Express™ RFID Specifications

ENVIRONMENT

Operating Temperature	32°F to 104°F (0°C to 40°C) 15° C/Hr (Non-Condensing)
Non-operating Temperature	23°F to 122°F (-5°C to 50°C)
Operating Relative Humidity	10 to 90% non- condensing
Non-operating Relative Humidity	9 to 95% non- condensing

POWER

Voltage	100-240 V AC
Frequency	50/60 Hz
Power dissipation	AIO PC: 90W: Whole System: up to 414 W

CPU

Type	Intel 4th Generation Haswell Celeron G1820TE, Core i3-4330TE, Core i5-4570TE
Memory	4GB Standard memory; expandable to 16GB
Storage	128GB Solid State Drive/500GB HDD
Ethernet	10/100/1000 LAN
Inputs/Outputs	3 x 12 V P-USB 1 x 24 V P-USB On-board Video (VGA) 2 x USB 3.0 Ports

DISPLAY	15" Color Touch Screen Projected Capacitive Multi-Touch (10 point touch) 1024 x 768 Resolution
----------------	--

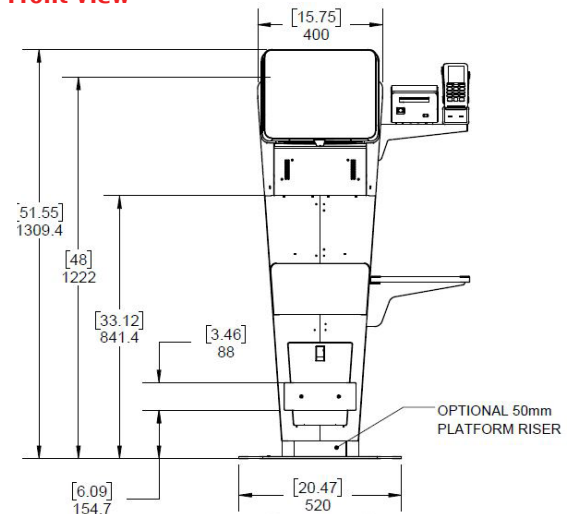
RFID

Transmit Power	FCC: up to 32.5 dBm AC ETSI: up to 31.5 dBm AC
Air Interface Protocol	GS1/EPCglobal UHF Gen2 (ISO 18000-63)
Read Sensitivity (Maximum)	-84 dBm

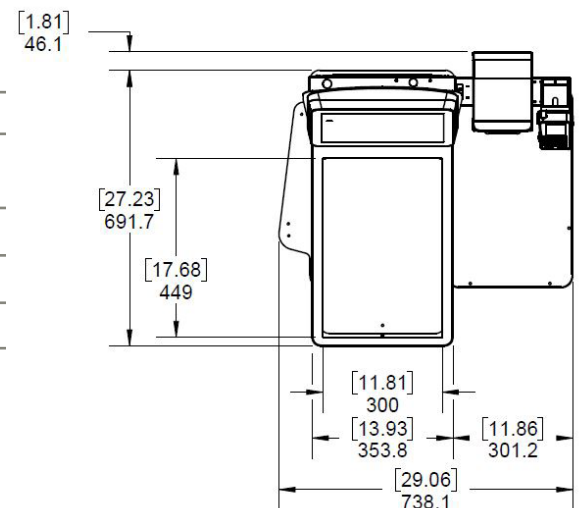
OPERATING SYSTEM	Windows Embedded POSReady 7, 8, and Windows 10
-------------------------	--

OPTIONAL	Assist Shelf: Side Shelf, left or right mount EFT Mounting: Atos, Ingenico, Verifone (EFT not included) Printer: High Speed Thermal Printer Uninterrupted Power Supply: UPS 120VAC, 200W Lane Light: LED Signal Tower Mobile NFC Payment System Apple Pay
-----------------	---

Front View



Top View



Fujitsu Frontech North America reserves the right to change specifications without notice

Contact

FUJITSU
Fujitsu Frontech North America Inc.
Address: 27121 Towne Centre Drive, Suite 100 Foothill Ranch, CA
Phone: 877-766-7545
Website: <https://www.fujitsufrontechna.com/mini-express-rfid/>
U-Scan-Mini-Express-RFID

