

# Data Sheet

## FUJITSU Financial Solutions G960 Multi-Denomination, High Capacity Bill Recycling Unit

High Capacity, Back Office Cash Management Environments that require Secure Access by Cash-in-Transit Companies

### Enhanced Functional Features

- Highly flexible, best-in-class bill recycling technology for high capacity, back office currency solutions.
- State of the art, Fujitsu-patented bill validation technology that verifies, captures image, sorts all deposited and dispensed media
- Completely accessible cash transport in the top assembly, the middle recycle assembly and in the optional bottom collection box
- Recycles up to 8 denominations, supporting a capacity of up to 22,200\* notes processing at a speed of up to 10 notes per second.
- Lower optional collection box separated from top module and recycled module assembly
- Serial number tracking and recording technology
- On-board intelligence for key components

### Benefits

- Rapid ROI, lower cost of ownership and more efficiency managing the highest capacity cash-in-transit programs in multiple verticals
- Accurate and fast cash handling of all deposited media, regardless of fitness, ensuring your program stays up and running
- Empowers store associates to clear jams caused by out of specification or unrecognized items lowering your service costs and down time.
- Eight denominations ensures the maximum number of different notes, capacity supports up the most demanding cash handling programs and speed shortens settlement time, all lowering the overall cost of ownership.
- Modular assembly approach allows integrators and OEMs to offer split vault design to permit only authorized personnel access to certain areas of recycler, protecting chain of cash ownership.
- Intelligent banknote traceability ensures more accurate banknote tracking, and prevents fraud ultimately saving the customer time and money.
- On-board, non-volatile memory enables deployer to monitor, detect and facilitate predictive/preventative diagnostics.



# G960 Bill Recycling Unit Overview

## G960 Overview

The Fujitsu G960 bill recycling unit sets the new standard for high capacity, high speed and high reliability in an affordable back-office cash management component for OEMs and integrators.

Fujitsu, recognized for over 40 years for world-class cash handling expertise found in ATMs, retail back office cash management systems and kiosks, now adds the G960 to its recycler family offering flexibility not found on other recyclers in its class. The G960 features a completely modular design that includes the top assembly with large capacity "pocket" style acceptor and dispenser, up to 3 roll storage for reservoir and escrow; the middle assembly that contains up to 8 recycling cassettes; and the optional bottom assembly that acts as a large-capacity collection box containing up to 7,200 notes for access by entrusted personnel or CIT services.

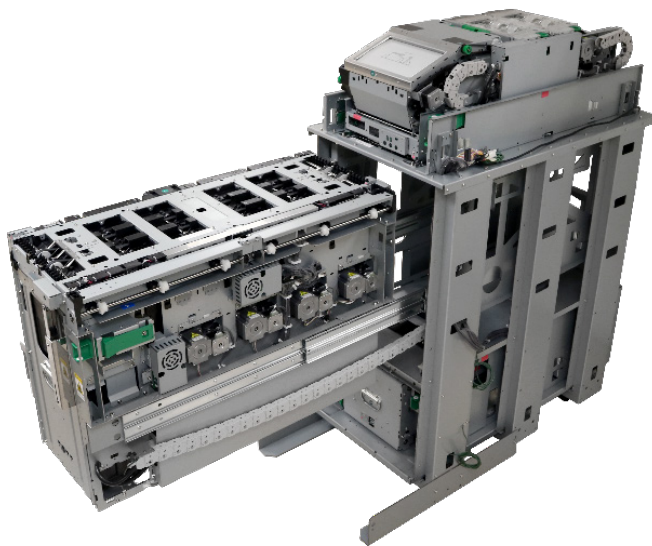
With greater capacities and flexibility, the G960 just may be the perfect complement to OEM and integrators looking for a cash handling component for teller assist, ATMs, bill payment or back-office cash management systems. In other words, the G960 in its various configurations is suitable for almost any environment that handles large

sums of cash.

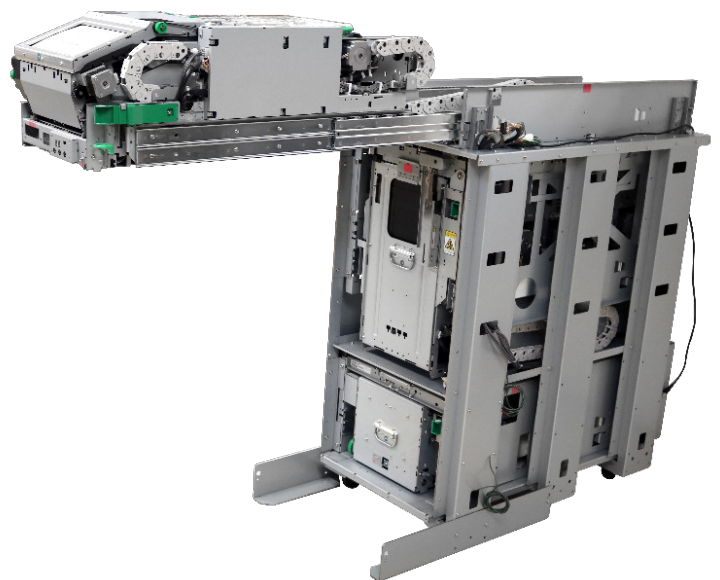
The G960 features Fujitsu's world-class bill validation technology and cash transportation that can easily accept, denominate, image, sort and store, mixed new or used, paper or polymer notes at up to 10 notes per second. The "pocket" style dispenser and acceptor can support up to 250 notes per transaction.

The introduction of new paper and polymer notes of varying sizes happens more frequently throughout the world as countries try to combat counterfeiting. With the G960 bill validation technology, including serial number capture, you can now rest assured knowing that Fujitsu will protect the integrity of your cash handling program. In addition, the G960 is able to support up to 256 different denomination templates, adding new templates by merely downloading firmware requiring no costly hardware upgrades along the way.

Check us out and see how the G960 by Fujitsu can help you grow your business more quickly.



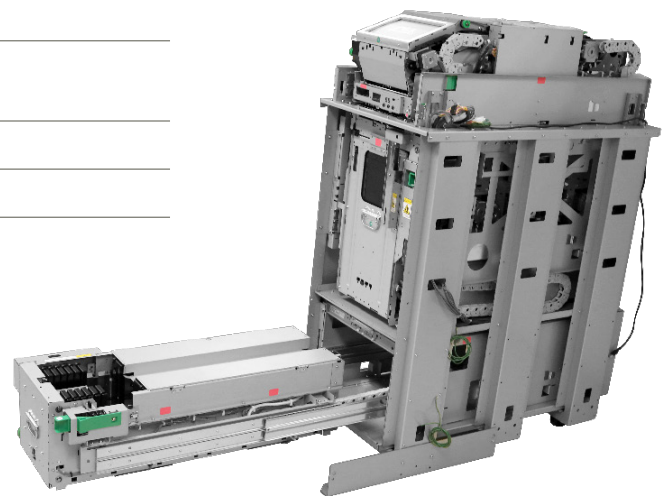
Fujitsu G960 with optional collection box



Data Sheet Fujitsu G960

# Fujitsu G960 Multi-Denomination Bill Recycling Unit

Dimensions (W x D x H)	362mm x 863mm x 1,147mm
Weight (without bills)	Approx. 132kg approx.
No. of Recycler Cassettes	5 Full-sized recycle cassettes
No. of Recycle Denominations	4 standard; Up to 8 with small cassette
Cassette Configuration	Full-sized 342mm (3,000 bills)* Small-sized 74mm (600 bills)*
Collection Box Capacity	7,200 Bills*
No. of Bills per Transaction	Dispense: 250 Bills (500 option)* Deposit: 250 Bills*
Counting Speed	8 Bills/sec.; 10 Bills/sec. (option)
Acceptable Media Range	Short Edge: 60~86mm Long Edge: 120~182mm
Total Bill Capacity	Max. 22,200 Bills*
Bill Thickness Tolerances	0.09~0.20mm
Interface Specifications	USB 1.1 Full Speed (12Mbps.)
Electrical Requirements	DC24V +10%/-8% Avg. 24.5A; Peak 33A
Temperature	Operation: 5°C to 50° Stop State: 5°C to 50°
Relative Humidity	Operation: 20% to 80% Stop State: 10% to 90%
RoHS Compliance	Yes
UL Compliance	Yes



Fujitsu Frontech North America reserves the right to change specifications without notice

\*Actual number of notes depends on fitness of currency, new versus used

## Contact

FUJITSU  
 Fujitsu Frontech North America Inc.  
 Address: 27121 Towne Centre Drive, Suite 100 Foothill Ranch, CA 92610  
 Phone: 877-766-7545  
 Email: [CHPS.FFNA@us.fujitsu.com](mailto:CHPS.FFNA@us.fujitsu.com)  
 Website: <https://www.fujitsufrontechna.com/>  
 G960 DS-021219



©2019 Copyright Fujitsu Frontech North America Inc. All rights reserved. Fujitsu and the Fujitsu logo are registered trademarks. All other trademarks are the property of their respective owners. Statements herein are based on normal operating conditions and are not intended to create any implied warranty of merchantability or fitness for a particular purpose. Fujitsu Frontech North America Inc. reserves the right to modify, at any time without notice, these statements, our services, products, and their warranty and performance specifications.